

"Often Copied but Never Equaled"

### LAMINATE ON FIBERGLASS TABLES

DESIGNED FOR COIN LAUNDRY SERVICE

#### GENERAL INFORMATION

These tables are available in a wide variety of colors, patterns and sizes. They have scratch and wear resistant high-pressure laminate surfaces fused directly to strong, moisture resistant fiberglass bodies. They can be custom produced with surfaces made from almost any brand, color, or pattern of high-pressure plastic laminate. Ample clearance is provided under the table for laundry cart storage. The standard color for all metal parts is black. All tables have sturdy tubular steel legs with adjustable levelers and provisions for concealed bolt down. We strongly recommend that any table which can be subject to abusive use by children or other irresponsible individuals be secured in position to avoid possible injury.

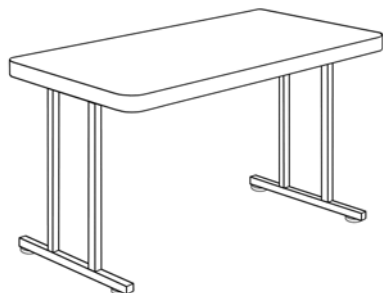
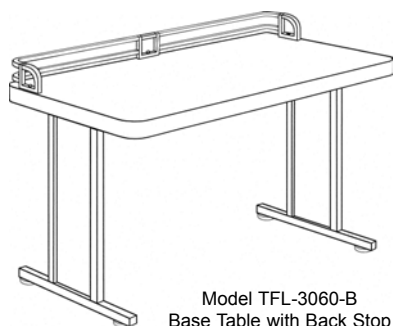


TABLE MODEL	TOP SIZE	SHIPPING WEIGHT	UNIT PRICE
TFL-2448	24" x 48"	61 lbs.	\$463.00
TFL-2460	24" x 60"	70 lbs.	\$497.00
TFL-2472	24" x 72"	78 lbs.	\$541.00
TFL-3048	30" x 48"	63 lbs.	\$472.00
TFL-3060	30" x 60"	72 lbs.	\$509.00
TFL-3072	30" x 72"	81 lbs.	\$550.00

All "TFL" style tables have sturdy 1-1/2" sq. tubular steel leg units secured directly to steel cross frames bracing the table top. The legs are equipped for concealed bolt down and can be provided with matching color leg panels if desired. Standard work surface height is 34" but other heights are available.

Add for colored leg panels \$81.00

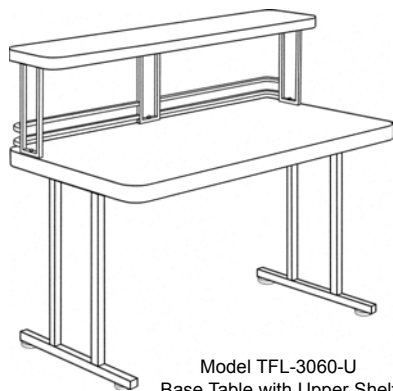


Model TFL-3060-B  
Base Table with Back Stop

TABLE MODEL	TOP SIZE	SHIPPING WEIGHT	UNIT PRICE
TFL-2448-B	24" x 48"	70 lbs.	\$528.00
TFL-2460-B	24" x 60"	80 lbs.	\$569.00
TFL-2472-B	24" x 72"	89 lbs.	\$607.00
TFL-3048-B	30" x 48"	72 lbs.	\$537.00
TFL-3060-B	30" x 60"	83 lbs.	\$575.00
TFL-3072-B	30" x 72"	92 lbs.	\$615.00

Any table can be ordered with a back stop installed to enhance its work space. To specify the rail, simply add a "B" to the end of the table's model number. The rails are 4" high and are made of tubular steel.

Add for colored leg panels \$81.00

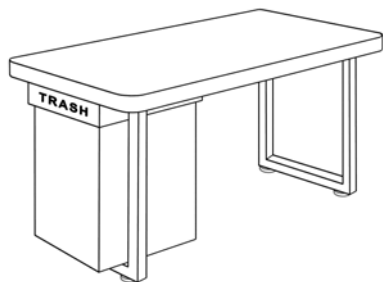


Model TFL-3060-U  
Base Table with Upper Shelf

TABLE MODEL	TOP SIZE	SHIPPING WEIGHT	UNIT PRICE
TFL-2448-U	24" x 48"	93 lbs.	\$719.00
TFL-2460-U	24" x 60"	108 lbs.	\$773.00
TFL-2472-U	24" x 72"	122 lbs.	\$828.00
TFL-3048-U	30" x 48"	95 lbs.	\$726.00
TFL-3060-U	30" x 60"	110 lbs.	\$781.00
TFL-3072-U	30" x 72"	125 lbs.	\$836.00

Any table can be ordered with a matching upper shelf installed to enhance its work space. To specify the shelf, simply add a "U" to the end of the table's model number. The shelves are 12" deep and 16" high with tubular steel supports.

Add for colored leg panels \$89.00

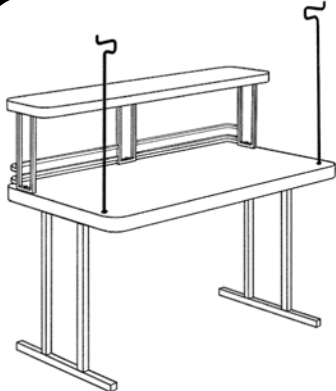
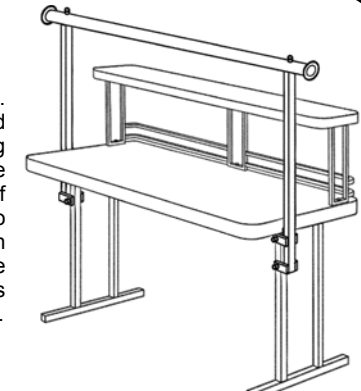


#### BUILT-IN TRASH CONTAINERS

Space saving fiberglass trash containers can be factory installed under all "TFL" style folding tables. The containers tilt out at the top for convenient use and then self close to hide the clutter. They are designed to use standard 32-gallon trash bags and lift out for easy emptying. They are available in all standard TFL table colors and can be used on one or both ends of the table. Weight of trash can assembly is approximately 34 lbs.

Model TRC-32 Price \$327.00 each installed

# Sol-O-matic®

	<p><b>INDIVIDUAL CLOTHES RACKS</b></p> <p>Theft and vandal resistant solid steel clothes racks are available on one or both front corners. When single racks are ordered they will be placed on the left side (facing table) unless otherwise specified. Each racks weight is approximately 3-1/2 lbs.</p> <p>Model TR-2L Price \$28.00 each installed</p>	<p><b>FULL-LENGTH HANGING RACK</b></p> <p>Can fit on any TFL style table. Provides ample space on each end for long garments while allowing complete use of the over table area for shorter garments. Made of tubular steel and bolts securely to the table legs. Concealed bolt down is required and included in the price below. Height above table surface is 39". Weight is approximately 19 lbs.</p> <p>Models TR-4', TR-5', TR-6' Price \$130.00 each installed</p>	
---	--	---	---

## ORDERING INFORMATION

All Sol-O-matic's® products are custom manufactured to order. The component parts are stock, but the final assembly/packageing is to order only. The normal shipping time required after the receipt of an order is approximately 30 days for all products.

We do not maintain warehouse facilities for finished products and for this reason, all orders must be completely cleared for shipment before they are released for assembly (i.e. prepayment received or credit approved, etc.)

Orders that are clear to ship are scheduled for assembly with priority given to the order with the earliest receipt date. Orders placed on a "Check with Order" basis will gain seniority while waiting for the check, but they cannot be scheduled for final assembly until the check is received.

All our products are packaged for shipment via common carrier. We have agreements with several major motor freight lines that enable us to provide a 60% to 67% freight discount on most interstate shipments. We will honor requests for specific carriers, but we may not be able to protect the discount. All shipments must be freight collect unless credit has been established in advance. A 10% handling charge will be levied on all prepaid freight charges.

The carrier is responsible for all damage in transit. Inspect your shipments closely and make notations of any visible abuse on the waybill before signing it. Carriers will attempt to deny or reduce payments made on claims that do not have the proper notation on the delivering waybill. Inspect all shipments for concealed damage within seven days. The carrier must be notified within 10 days of delivery on any damage claim, concealed or otherwise. Failure to follow the above procedures can forfeit any rights of recovery.

No orders for C.O.D. shipments can be accepted due to the custom nature of the finished products.

<p><b>Standard "TFL" Colors</b></p> <ul style="list-style-type: none"> <li>• Almond</li> <li>• Peaceful</li> <li>• Burgundy</li> <li>• Cornflower</li> <li>• Purple</li> <li>• Holly Red</li> <li>• Hunter Green</li> <li>• Orange</li> <li>• Marigold</li> <li>• Smoke</li> <li>• Raspberry</li> <li>• Platinum</li> <li>• Regal Blue</li> <li>• Surfin'</li> <li>• White</li> <li>• Black</li> </ul> <p>Custom Colors Quoted Upon Request.</p>	<p><b>Standard Colors</b></p> <p>The standard "TFL" colors shown at left match the same named colors used in our fiberglass product line. Please see a copy of our fiberglass brochure or color chart for actual color samples.</p> <p><b>Custom Colors</b></p> <p>These products can be custom produced using any brand of high-pressure plastic laminate for a nominal upcharge. We'll be happy to quote your order.</p>
--	--

Prices and specifications subject to change without notice. All items shipped knocked down, F.O.B. Houston, Texas.

MANUFACTURED BY:

**CACO MANUFACTURING CORP.**  
P.O. Box 263129 Houston, Texas 77207  
PHONE (800) 633-6718 www.solomatic.com

DISTRIBUTED BY: